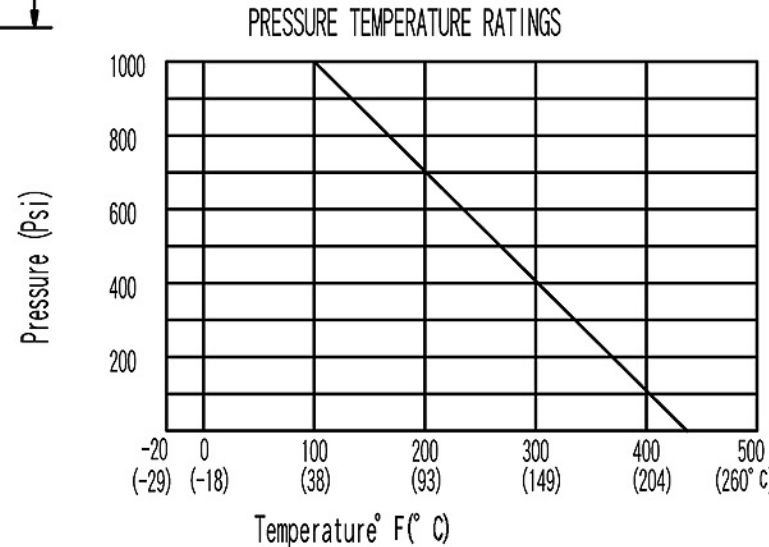
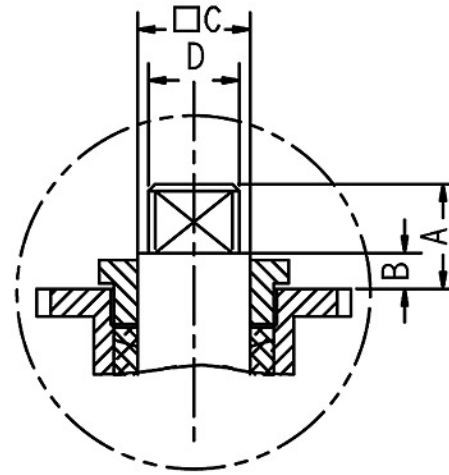
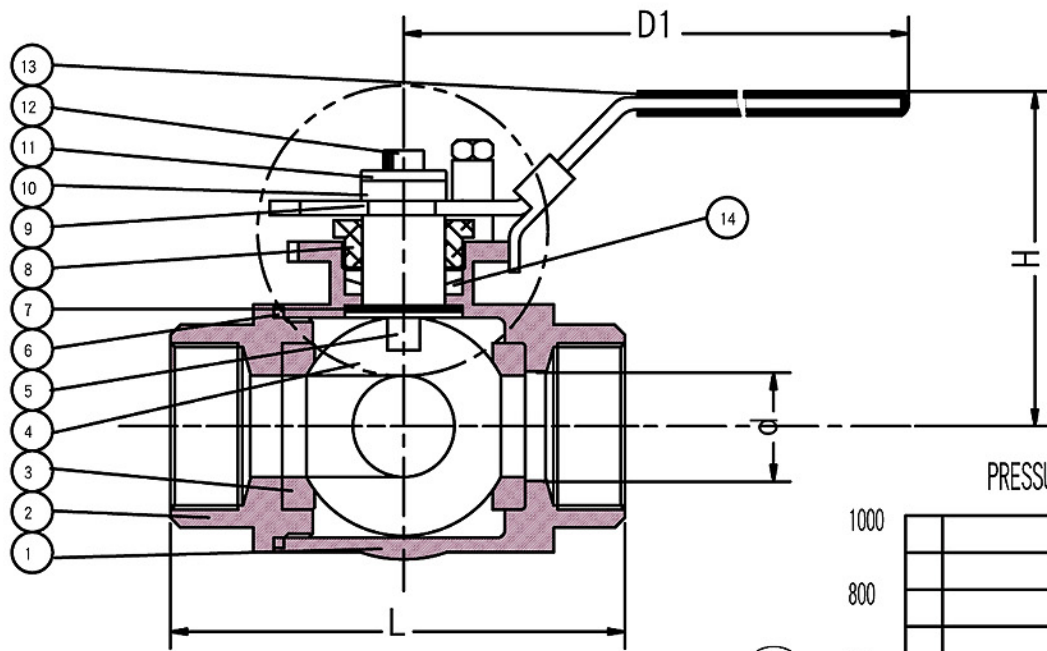


SIZE	d	L	H	D1	A	B	C	D	E	F	M	N
1/2"	12.5	66	64.7	133	11	6	12	9	25	33.5	36	M5*0.8
3/4"	16.0	77	67.7	133	11	6	12	9	25	38.7	36	M5*0.8
1"	20.0	88	71.2	133	11	6	12	9	29	46	42	M5*0.8
1-1/4"	25.4	103	88.7	178.5	23.5	8	15	11	35.5	51.7	50	M6*1.0
1-1/2"	31.8	111	93.7	178.5	23.5	8	15	11	35.5	61	50	M6*1.0
2"	38.1	136	98.2	178.5	23.5	8	15	14	35.5	71.4	50	M6*1.0



PORT TYPE	1	2	3	4
L	1 2 3	1 2 3	1 2 3	1 2 3

NO	DRAW NO	PART	MATERIAL
14	14	STEM PACKINGS	PTFE
13		HANDLE SLEEVE	VINYL GRIP
12		HANDLE NUT	S. S. 304
11		WASHER	S. S. 304
10		HANDLE WASHER	S. S. 304
9	09	HANDLE	S. S. 304
8	08	GLAND	S. S. 304
7	07	THRUST WASHER	PTFE
6	06	END SEALS	PTFE
5	05	STEM	S. S 316
4	04	BALL	ASTM A351 GR. CF8M
3	03	SEAT	PTFE
2	02	CAP	ASTM A351 GR. CF8M
1	01	BODY	ASTM A351 GR. CF8M

Gillson Enterprise Co., Ltd.

MATERIAL	SCALE	DATE	DRAWN BY	APPROVED
CF8M	FREE			
TYPE	Mod1: 3-WAY BALL VALVE			
	DRAWING NO		GV3W302SM	