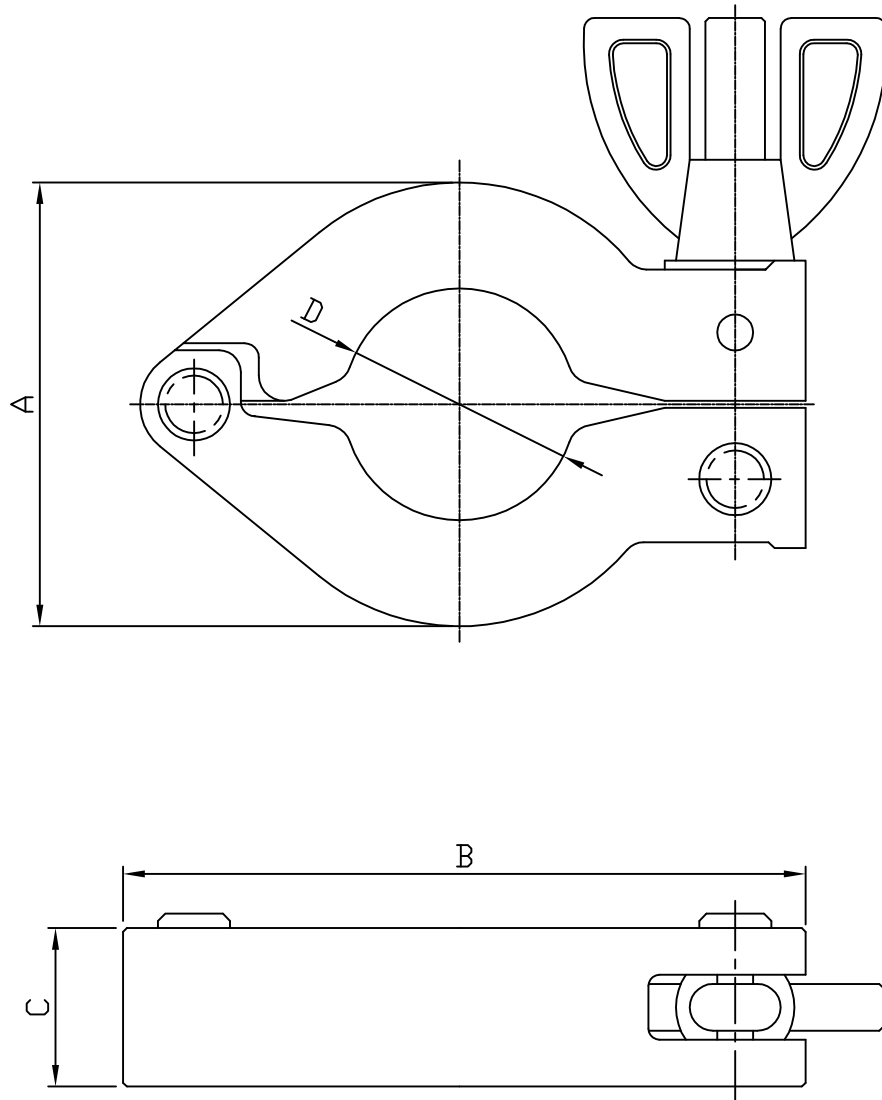


# Gillson Enterprise Co.,Ltd

## Hinged clamp

GE94030511



Nominal diameter	Material	A		B		C		D	
		inch	mm	inch	mm	inch	mm	inch	mm
DN 10-16 ISO-KF	Aluminium/Steel,Zinc plated	1.693	43	2.441	62	0.630	16	0.866	22
DN 20-25 ISO-KF	Aluminium/Steel,Zinc plated	2.165	55	2.835	72	0.630	16	1.260	32
DN 32-40 ISO-KF	Aluminium/Steel,Zinc plated	2.756	70	3.543	90	0.670	17	1.850	47
DN 50 ISO-KF	Aluminium/Steel,Zinc plated	3.661	93	4.843	123	0.945	24	2.441	62