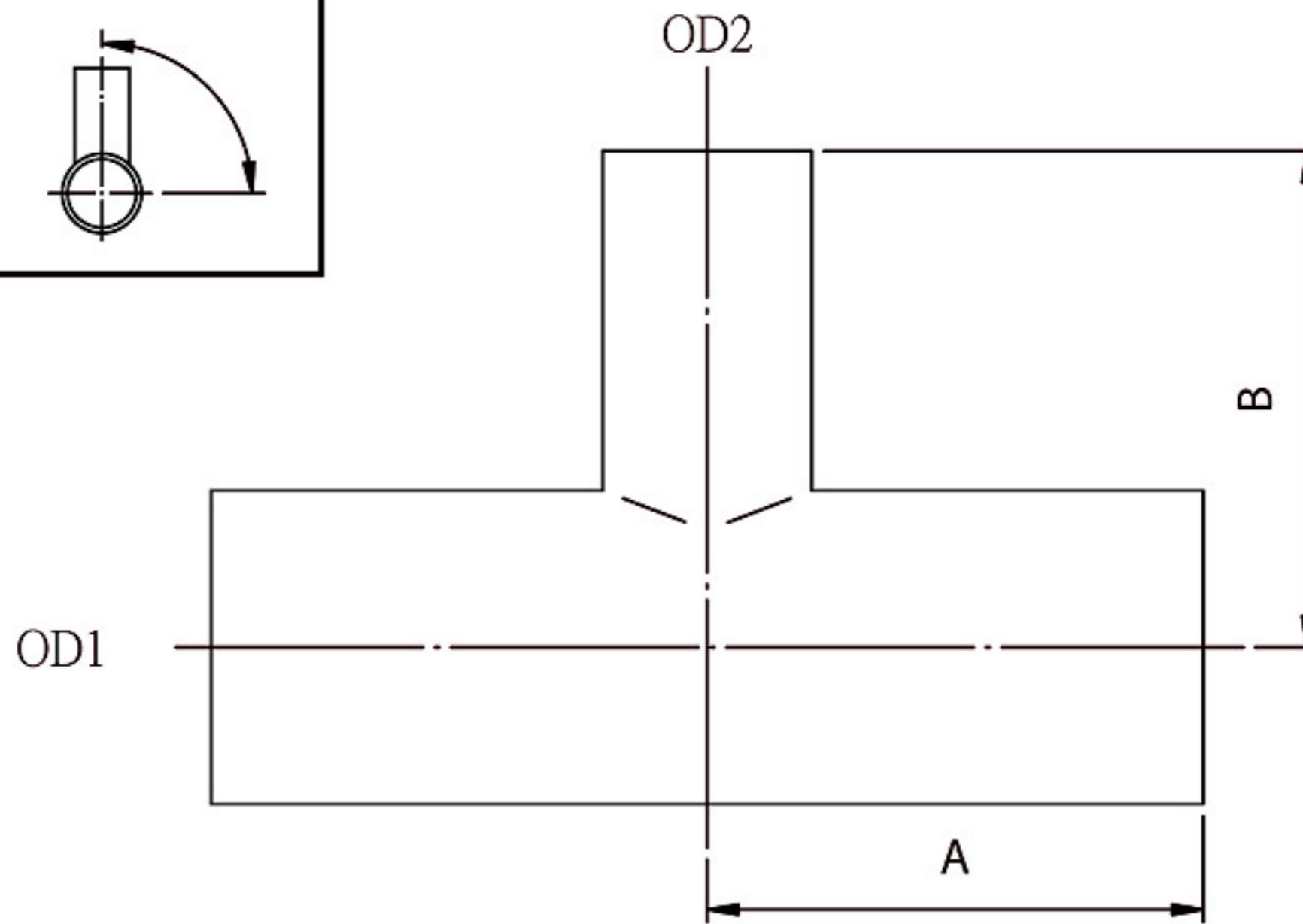
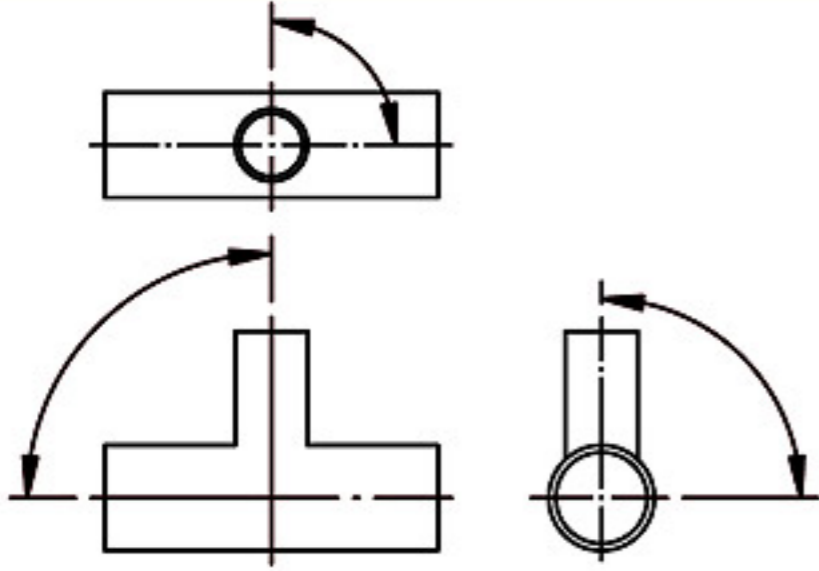


# Gillson Enterprise Co.,Ltd

## REDUCING TEE

水平度及垂直度公差皆為±0.3°

TUBE SIZE(INCH-SIZE)



SIZE OD1	SIZE OD2								A	B
1/4"										
3/8"	1/4"								37	37
1/2"	3/8"	1/4"							39	39
5/8"	1/2"	3/8"	1/4"	8A					47	44
3/4"	1/2"	3/8"	1/4"	8A					47	44
	5/8"	10A							52	52
1"	1/2"	3/8"	1/4"	8A					47	47
	3/4"	5/8"	15A	10A					55	55
1-1/4"	1/2"	3/8"	1/4"	8A					47	50
	1"	3/4"	5/8"	20A	15A	10A			59	59
1-1/2"	1/2"	3/8"	1/4"	8A					57	54
	1-1/4"	1"	3/4"	5/8"	25A	20A	15A	10A	68	62
2"	1/2"	3/8"	1/4"	8A					57	57
	1-1/4"	1"	3/4"	5/8"	25A	20A	15A	10A	68	65
	1-1/2"	40A	32A						77	77
2-1/2"	1/2"	3/8"	1/4"	8A					61	63
	1-1/4"	1"	3/4"	5/8"	25A	20A	15A	10A	72	71
	2"	1-1/2"	50A	40A	32A				90	83
3"	1/2"	3/8"	1/4"	8A					61	71
	1-1/4"	1"	3/4"	5/8"	25A	20A	15A	10A	72	79
	2"	1-1/2"	50A	40A	32A				90	90
	2-1/2"	65A							97	97
4"	1/2"	3/8"	1/4"	8A					61	87
	1-1/4"	1"	3/4"	5/8"	25A	20A	15A	10A	72	95
	2"	1-1/2"	50A	40A	32A				90	105
	3"	2-1/2"	80A	65A					110	110
5"	1/2"	3/8"	1/4"	8A					70	100
	1-1/4"	1"	3/4"	5/8"	25A	20A	15A	10A	90	110
	2"	1-1/2"	50A	40A	32A				110	120
	4"	3"	2-1/2"	100A	80A	65A			140	140
6"	1/2"	3/8"	1/4"	8A					80	115
	1-1/4"	1"	3/4"	5/8"	25A	20A	15A	10A	100	125
	2"	1-1/2"	50A	40A	32A				120	135
	4"	3"	2-1/2"	100A	80A	65A			140	145
	5"	125A							160	160